



## 100cd Low Intensity Obstruction Light CASA 139 - LED Aircraft Warning Light

CEL-LI-100-DCW-F

### Key features

- Based on LED technology
- Extremely reliable - long lifetime
- Suitable for off-shore use
- Very low power consumption
- Wide 12 to 60VDC input voltage
- Stabilised light output
- Lightweight and small - low wind load factor
- Easy to install, several mounting sets available
- Two cable glands, easy to chain without external terminal boxes
- No RF-radiations
- Five (5) year warranty
- Patented

### Benefits

- Long maintenance intervals
- Low energy cost
- Supply power voltage variations do not affect light output
- Very low total lifetime costs
- Low wind load

### Specifications met:

- CASA 139

### Optical characteristics

- Intensity better than 100cd
- Colour aviation red
- Horizontal radiation pattern 360°
- vertical beam spread (to 50% of peak intensity) of 10°;
- vertical distribution with 100 cd minimum at +6° and +10° above the horizontal
- 10 cd at all elevation angles between -3° and +90°
- LED supply current stabilised by constant current generator
- Light output degradation less than 30% after 100.000hrs of operation

### Electrical characteristics

- Input voltage range 12 to 60V<sub>DC</sub>
- Power consumption less than 7,5W
- Over voltage protection

### Mechanical characteristics

- Anodised marine grade aluminium body and end parts
- AISI 316 acid proof steel screws
- Colourless (clear) glass cover
- Terminal box for 1,5 - 6mm<sup>2</sup> wires
- Degree of protection IP65
- Operating temperature range -40°C to +60°C
- Height 210mm, diameter 104mm, weight 1.2kg
- Wind load with CEL-MS-EV60 mounting kit @ 200km/h less than 40N

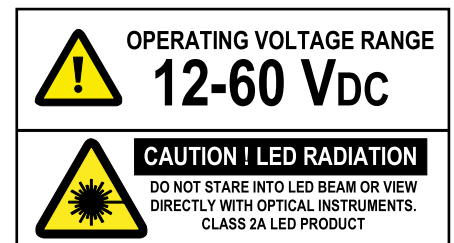
### Options

- Mounting kits
- Photocell & Flasher: **CEL-LI-100-DCW-PCFL**

**Order Code: CEL-LI-100-DCW-F**



CEL-LI-100-DCW-F LED obstacle light



# 100cd Low Intensity Obstruction Light CASA 139 - LED Aircraft Warning Light

CEL-LI-100-DCW-F

## ELECTRICAL INSTALLATION INSTRUCTIONS

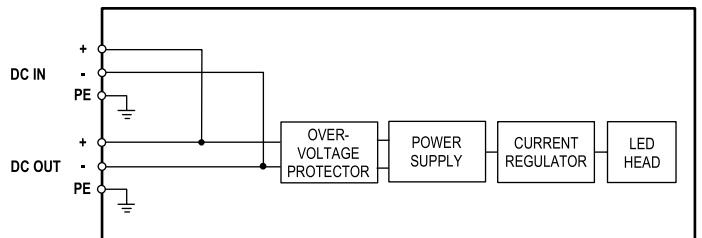
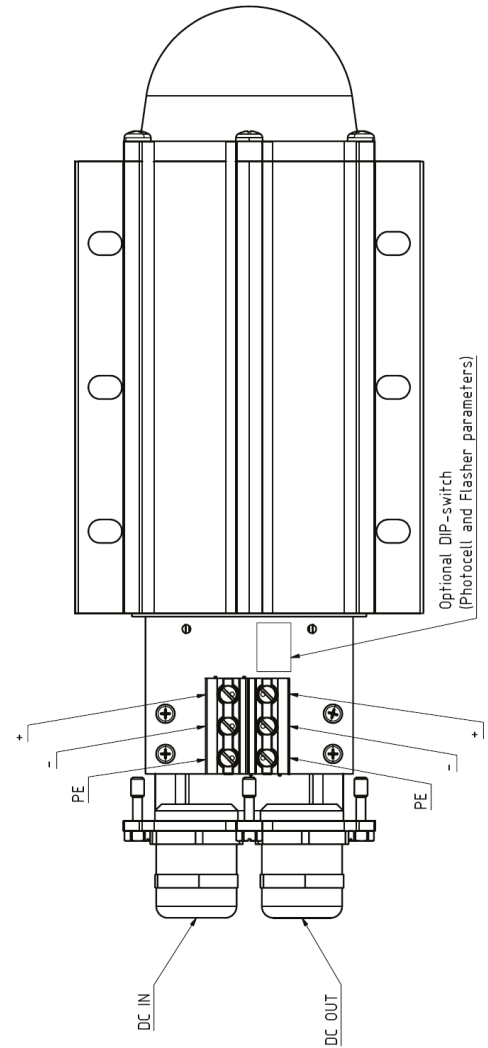
**CEL-LI-100-DCW-F has two cable glands for easy chaining without external distribution boxes**

CEL-LI-100-DCW-F is an obstacle light utilizing LED technology. The cabling and installation principles are similar to those of conventional obstacle lights.

Connection can be protected with a 6A or 10A fuse or with a circuit breaker (C curve).

### Installation specifications

- Cable gland: M25
- Cable diameter: 6 to 17mm
- Wire diameter: max. 6mm<sup>2</sup>
- Recommended cable: 3x1.5mm<sup>2</sup> or 3x2.5mm<sup>2</sup>

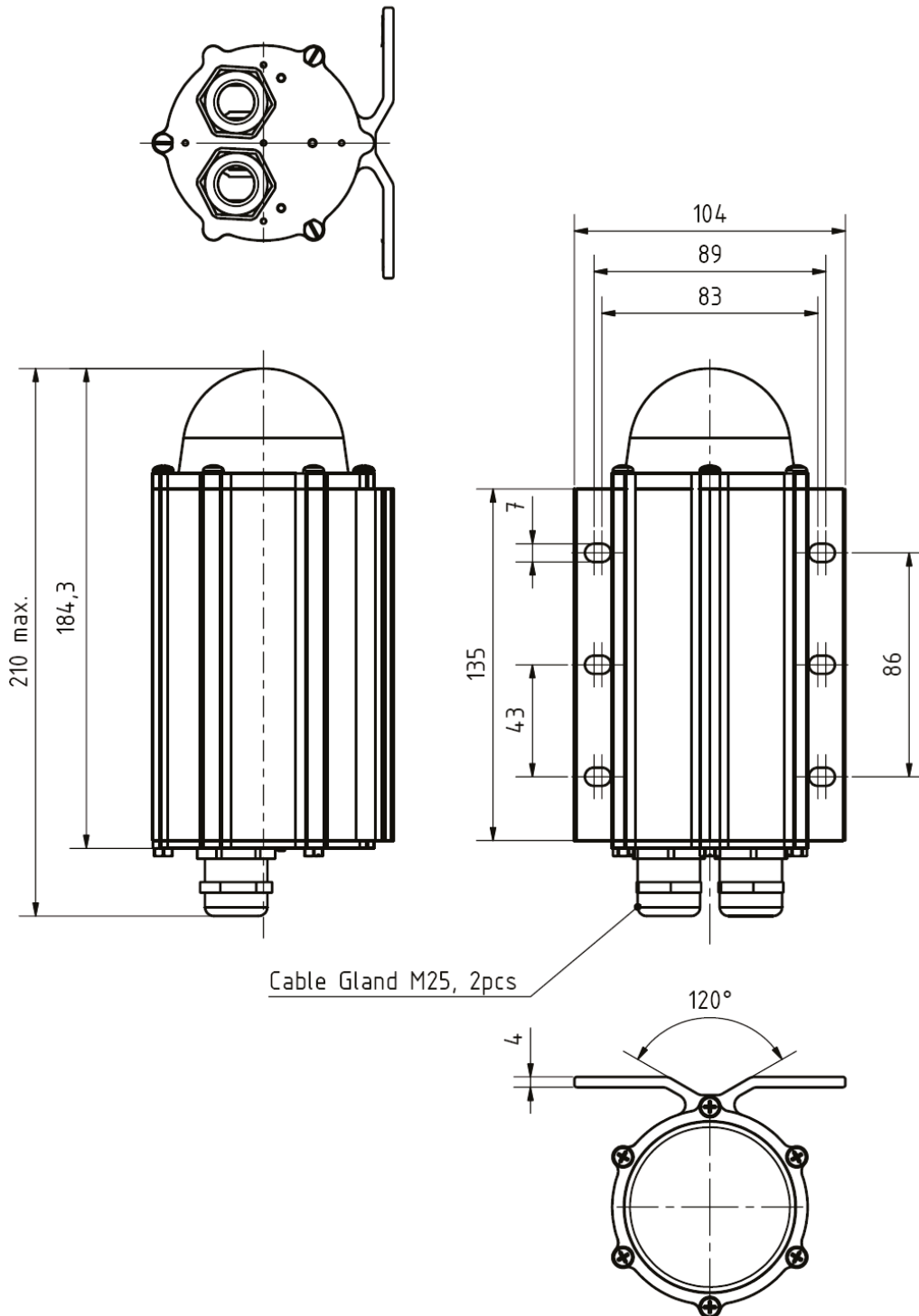


Block diagram

# 100cd Low Intensity Obstruction Light CASA 139 - LED Aircraft Warning Light

CEL-LI-100-DCW-F

## Mechanical dimensions



# 100cd Low Intensity Obstruction Light CASA 139 - LED Aircraft Warning Light

CEL-LI-100-DCW-F

There are several types of mounting sets available as option:

## CEL-MS-HV80

Mounting set for 33-80mm vertical or horizontal pipe

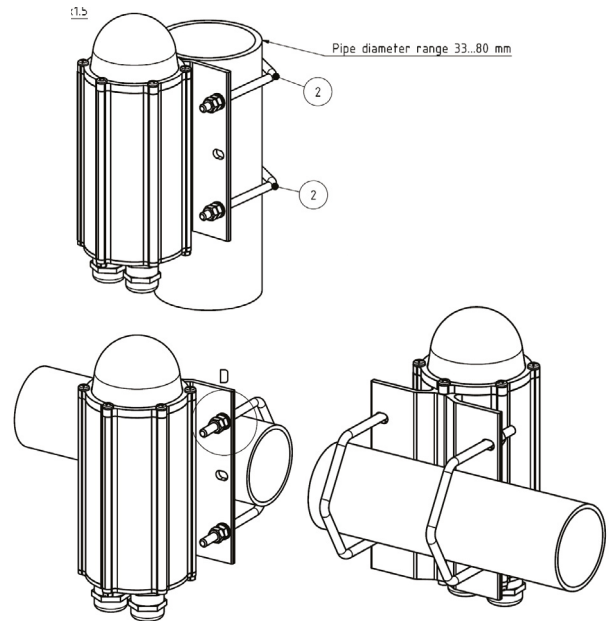
Mounting set include:

- 2 pcs M6 U-bolt
- 8 pcs M6 hex nut
- 4 pcs 6/12 mm washer

All parts AISI 316 acid proof steel

More detailed mechanical data: CEL-MS-HV80 datasheet

Order Code: **CEL-MS-HV80**



## CEL-MS-EV60

Mounting set with extension plate for 30-60mm vertical pipe installation

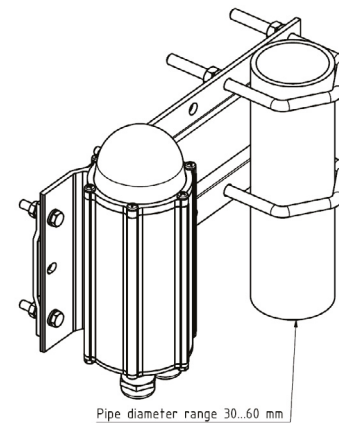
Mounting set include:

- 2 pcs M8 U-bolt, 8 pcs M8 hex nut
- 4 pcs M6x30 bolt, 8 pcs M6 hex nut, 4 pcs 6/12 washer
- 1 pcs extension plate

Extension plate marine grade anodised aluminium, other parts AISI 316 acid proof steel

More detailed mechanical data: CEL-MS-EV60 datasheet

Order Code: **CEL-MS-EV60**



## CEL-MS-EV100

Mounting set with extension plate for 60-100mm vertical pipe installation

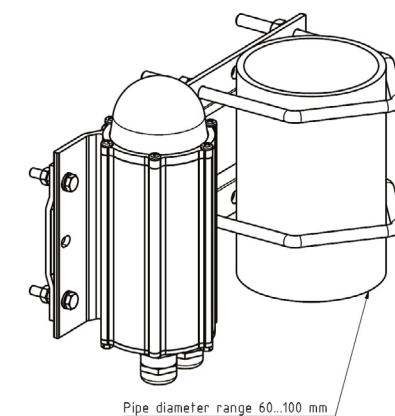
Mounting set include:

- 2 pcs M8 U-bolt, 8 pcs M8 hex nut
- 4 pcs M6x30 bolt, 8 pcs M6 hex nut, 4 pcs 6/12 washer
- 1 pcs extension plate

Extension plate marine grade anodised aluminium, other parts AISI 316 acid proof steel

More detailed mechanical data: CEL-MS-EV100 datasheet

Order Code: **CEL-MS-EV100**



# 100cd Low Intensity Obstruction Light CASA 139 - LED Aircraft Warning Light

CEL-LI-100-DCW-F

## CEL-MS-EV150

Mounting set with extension plate for 100-150mm vertical pipe installation

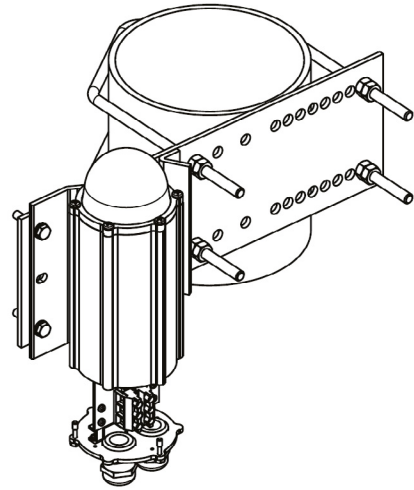
Mounting set include:

- 2 pcs M8 U-bolt, 8 pcs M8 hex nut
- 4 pcs M6x30 bolt, 8 pcs M6 hex nut, 4 pcs 6/12 washer
- 1 pcs extension plate

Extension plate hot dipped galvanised steel, other parts AISI 316 acid proof steel

More detailed mechanical data: CEL-MS-EV150 datasheet

Order Code: **CEL-MS-EV150**



## CEL-MS-DEV60

Double mounting set with extension plate for 30-60mm vertical pipe installation

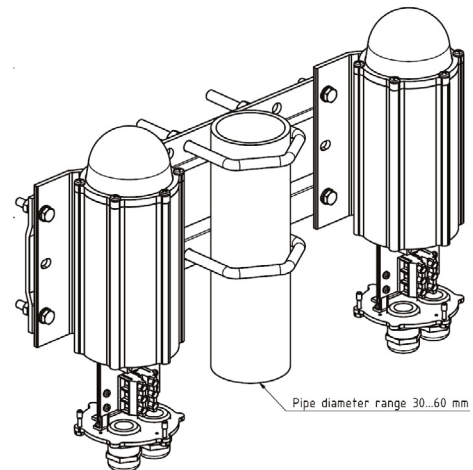
Mounting set include:

- 2 pcs M8 U-bolt, 8 pcs M8 hex nut
- 8 pcs M6x30 bolt, 16 pcs M6 hex nut, 8 pcs 6/12 washer
- 1 pcs extension plate

Extension plate marine grade anodised aluminium, other parts AISI 316 acid proof steel

More detailed mechanical data: CEL-MS-DEV60 datasheet

Order Code: **CEL-MS-DEV60**



## CEL-MS-DEV100

Double mounting set with extension plate for 60-100mm vertical pipe installation

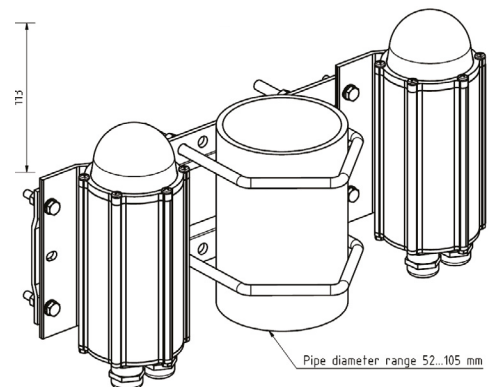
Mounting set include:

- 2 pcs M8 U-bolt, 8 pcs M8 hex nut
- 8 pcs M6x30 bolt, 16 pcs M6 hex nut, 8 pcs 6/12 washer
- 1 pcs extension plate

Extension plate marine grade anodised aluminium, other parts AISI 316 acid proof steel

More detailed mechanical data: CEL-MS-DEV100 datasheet

Order Code: **CEL-MS-DEV100**



# 100cd Low Intensity Obstruction Light CASA 139 - LED Aircraft Warning Light

CEL-LI-100-DCW-F

## CEL-MS-RW

Mounting set for horizontal plate or wall installation

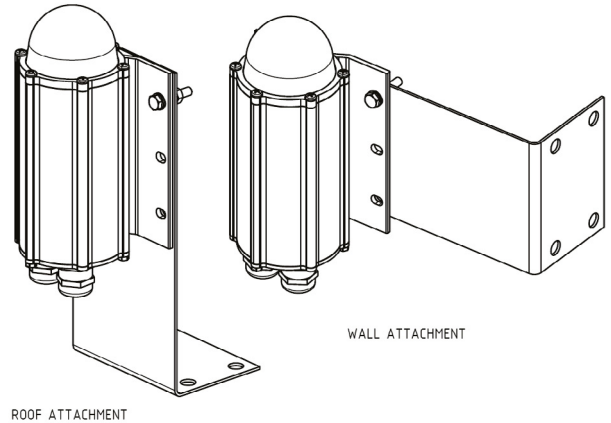
Mounting set include:

- 4 pcs M6x30 bolt, 8 pcs M6 hex nut, 4 pcs 6/12 washer
- 1 pcs L-shape 2mm plate

All parts AISI 316 acid proof steel

More detailed mechanical data: MS-RW datasheet

Order Code: **CEL-MS-RW**



## CEL-MS-LVU

Mounting set for L and V -shape profiles

Mounting set include:

- 1 set accessories for light unit fitting to plate
- 1 pcs extension plate with adjusting plate and accessories

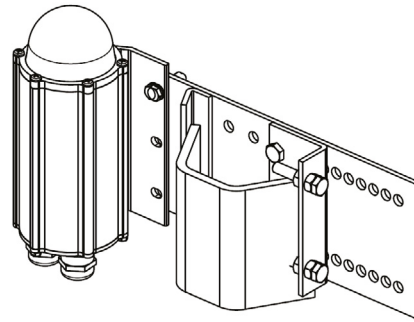
Extension plate hot dip galvanized steel, other parts

AISI 316 acid proof steel

More detailed mechanical data: MS-LVU datasheet

Order Code: **CEL-MS-LVU** (with galvanized extension plate)

**CEL-MS-LVA** (with AISI 316 extension plate)



## CEL-MS-N1B

Mounting set for 1" NPT at bottom

More detailed mechanical dimensions: MS-N1B dataheet

Order Code: **CEL-MS-N1B**

